



# LUZIA 1

## 24W LINEAR PENDANT LIGHT

24W linear pendant light exhibits a modern slimline design and a frosted polycarbonate diffuser. Ideal for most commercial applications such as offices, shopping centers, gymnasiums and airports.



### PRODUCT FEATURES

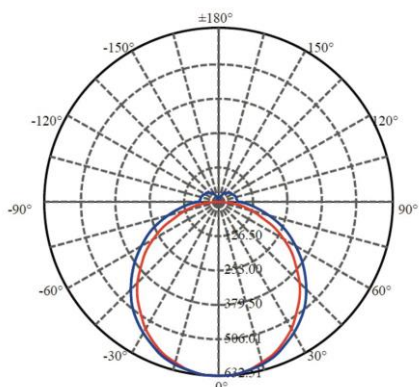
Fixture Material	Aluminum
Fixture Finish	Etched and anodized aluminum
Diffuser	Frosted Polycarbonate
Suspension	2m suspension wire
Driver	Supplied
Dimmability	0 – 10V Dimming system
Binning	Single binning for optimal color consistency
Life Span	40,000 hours

### PRODUCT SPECIFICATIONS

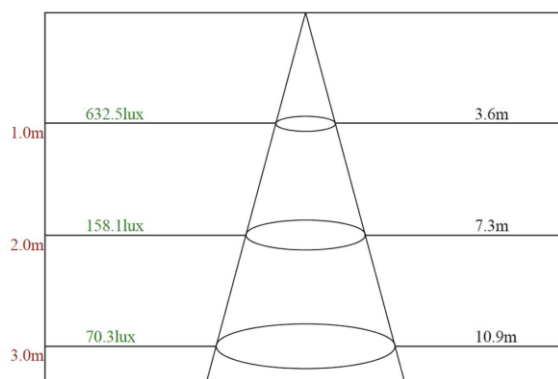
LED Chip	Samsung
Number of LEDs	120
Power Consumption	24W
Input Voltage	220~240VAC 50/60Hz
Beam Angle	120°
Length	1200mm
Operating Temperature	from -20° to 50° C
Total Lumen Output	Warm White: 2280
	Day Light: 2400
	Cool White: 2640
Available Color Temperatures	2700K, 3000K, 4000K, 6000K
Color Rendering Index	>80
Driver Protection	Short Circuit
IP Rating	20
Warranty	3 years against manufacturing defects
Agency Approval	CE, RoHS
Total Weight	1080g



### POLAR DISTRIBUTION CURVE



### ILLUMINANCE CONE

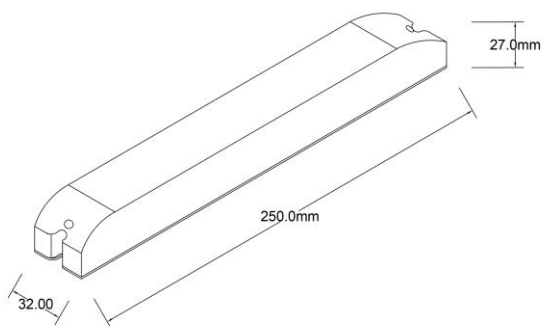




## DRIVER DETAILS

### PRODUCT FEATURES

Model	GL025700A-010
Life Span	40,000 hours
Input Voltage	220~240VAC 50/60Hz
Output Voltage	36VDC
Output Current	700mA DC
Power Rating	25W
Power Factor (PF)	>0.9
Dimming System	0 – 10V
Operating Temperature	from -20° to 50° C
Driver Protection	Short circuit and overload
Agency Approvals	CE, RoHS



## INSTALLATION GUIDE