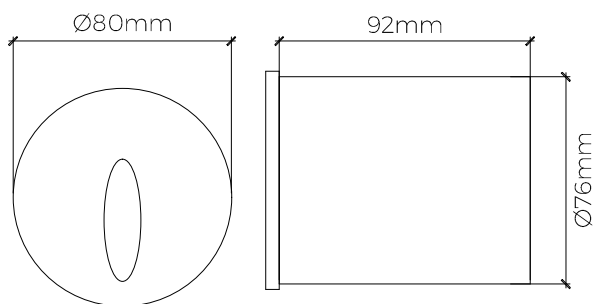


CAHAYA - WL220236

3W RECESSED STEP AND WALL LIGHT



PRODUCT SPECIFICATIONS

Fixture Material	Aluminium
Fixture Finish	Brushed silver
Sleeve Material	Black polycarbonate
Driver	Built-in
LED Chip	CREE
Binning	3 step MacAdam
Wiring	20 centimeter of 3 core 1mm ² rubber cable
Lifespan	50,000 hours
Color Rendering Index	>85
Input Voltage	180-250VAC, 50/60Hz
Driver Protection	Short circuit
Operating Temperature	from -20° to 65°C
Warranty	3 years against manufacturing defects



Power (W)	Available Color Temperatures	Luminous Flux			IP Rating	Available Beam Angle
		3000K	4000K	6000K		
3W	2700K 3000K 4000K 6000K	110lm/W	120lm/W	130lm/W	65	30°